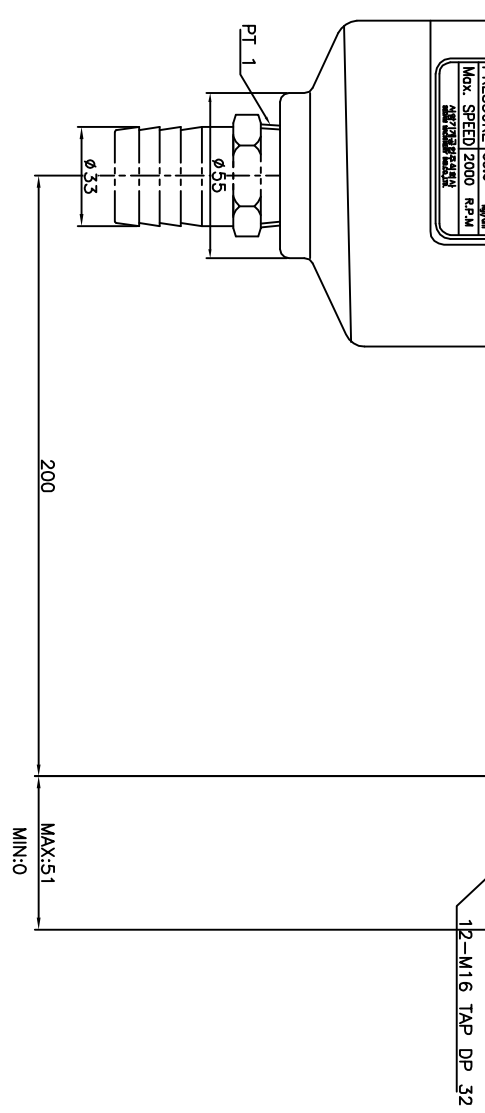
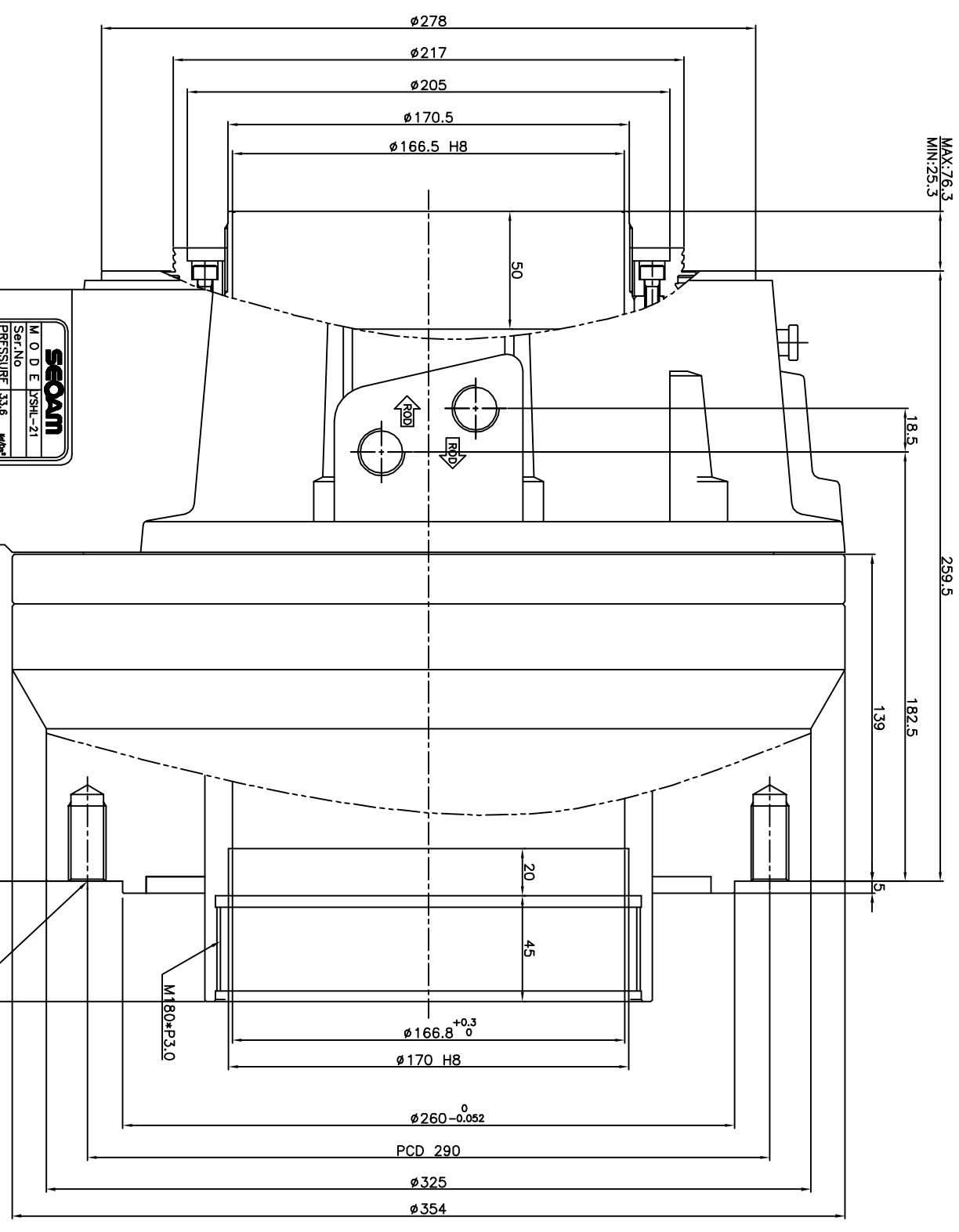


SPECIFICATIONS

CHUCK TYPE	YSHL-21
CYLINDER DIA	280 mm
PISTON STROKE	51 mm
MAX. DRAW BAR PULL	EXTEND 372.1 cm <sup>2</sup> RETRACT 327.1 cm <sup>2</sup>
MAX. OPERATING PRESSURE	EXTEND 11,376 kgf RETRACT 10,002 kgf
MIN. OPERATING PRESSURE	4.0 MPa (40.8 kgf/cm <sup>2</sup> )
MAX. PERMISSIBLE SPEED	0.5 MPa ( 5 kgf/cm <sup>2</sup> )
WEIGHT	77 kg
MOMENT OF INERTIA(Ip)	3.0 kg.m <sup>2</sup>
TOTAL LEAKAGE	8.4 L/min
( 1 kN = 100 kgf , 1 MPa = 10 kgf/cm <sup>2</sup> )	



SCALE	PROJECTION	ITEM NO.	YSHL-21
1:1		PART NAME	SUPER HIGH SPEED LONG BORE HYDRAULIC CYLINDER
		PART NO.	2SHL21



СЕРВИСНЫЙ ЦЕНТР  
САНКТ-ПЕТЕРБУРГ