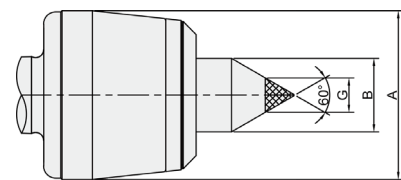
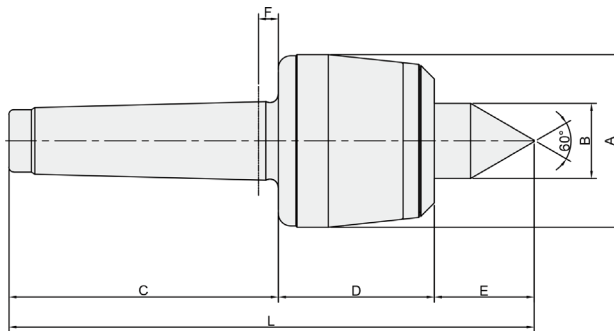


UN

FEATURES

- Advanced new product of BN type.
- Accuracy guaranteed to 0.003mm TIR (0.0001")
- Multi sealing (high performance lip seal and V-seal) protects from ingress by dust and coolant.
- Shorten maintenance time for automated CNC installations by longer product life.
- Heat-treated point to HRc 60 ± 2
- Heat-treated body for extra strength, rigidity and long life.
- Carbide point available. (UNC TYPE)
- Carbide point to HRa 90 ± 5.



Available Carbide Tipped Points UNC-TYPE

- MT4: 152004
- MT5: 152005

Dimension

Unit: mm. kg

MODEL	MT	A	B	C	D	E	F	G	L	Workpiece Weight	Max. R.P.M	Weight	Max. Run Out
151004 (152004)	4	69	30	108	62.5	40	8	14	210.5	800	3,800	2	0.003
151005 (152005)	5	88	38	136	79	50.5	8	18	265.5	2,000	3,000	4.5	0.003

* (MODEL NO) : Carbide Tip Type

UN type Technical data

- 4UN
- 5UN

